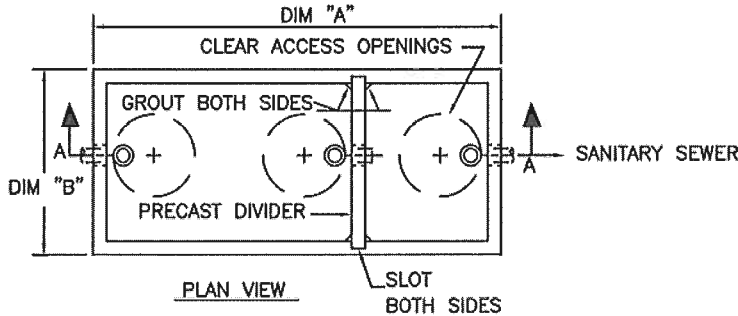
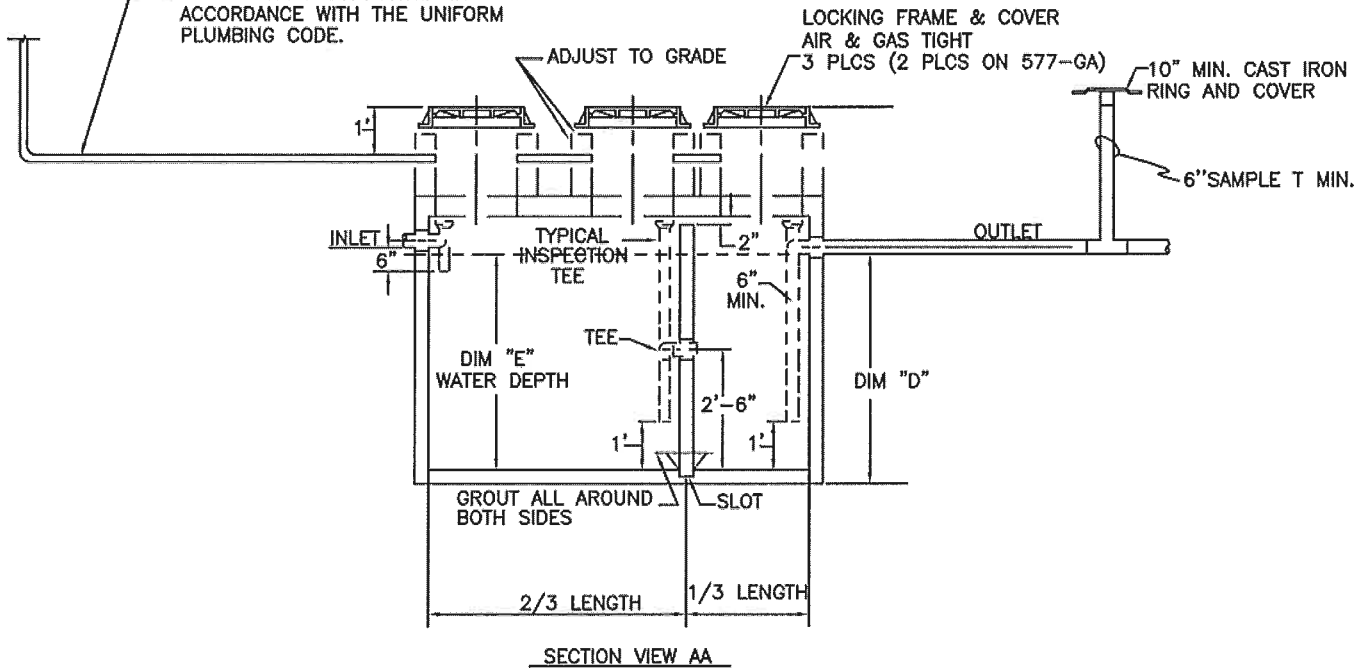


VENT PIPES SHALL EXTEND 10-FT MIN. ABOVE THE SURROUNDING GROUND AND SHALL BE SECURELY SUPPORTED IN ACCORDANCE WITH THE UNIFORM PLUMBING CODE.



	CAPACITY	DIM "A"	DIM "B"	DIM "C"	DIM "D"	WATER DEPTH DIM "E"
(Min. Size)	750	7'-0"	4'-8"	7'-0"	4'-3"	3'-11"
	1000	9'-0"	5'-0"	7'-2"	4'-2"	3'-10"
	1500	11'-2"	5'-8"	7'-2"	4'-3"	3'-11"
	2000	12'-8"	6'-8"	8'-0"	4'-7"	3'-10"
	2500	12'-8"	6'-8"	8'-0"	5'-6"	4'-9"
	3000	13'-1"	8'-0"	8'-7"	5'-1"	4'-8"
	4000	13'-1"	8'-0"	8'-7"	6'-8"	6'-3"
	5000	15'-7"	9'-7"	10'-0"	7'-4"	6'-1"
	6000	19'-11"	9'-11"	10'-5"	7'-1"	5'-8"
	7000	19'-11"	9'-11"	10'-5"	8'-0"	6'-7"

NOTES:

1. CONCRETE: 28 DAY COMPRESSIVE STRENGTH $f'_c = 4500$ psi
 2. REBAR: ASTM A-615 GRADE 60
 3. MESH: ASTM A-185 GRADE 65
 4. DESIGN: ACI-318-83 BUILDING CODE
ASTM C-857 "MINIMUM STRUCTURAL DESIGN LOADING FOR UNDERGROUND PRECAST CONCRETE UTILITY STRUCTURES"
 5. MINIMUM VAULT DIMENSIONS BASED ON UTILITY VAULT. OTHER MANUFACTURER'S SIZING MAY VARY.
- * SEE CITY STANDARD DETAIL NO. 04.06.02 FOR ADDITIONAL NOTES



CITY OF PUYALLUP
OFFICE
of
THE CITY ENGINEER

GREASE INTERCEPTOR

DRAWN BY LINDA LIAN	CHECKED BY COLLEEN HARRIS	APPROVED BY MARK PALMER	REVISED BY LINDA LIAN	DATE REVISED: 11/28/16 XX/XX/XX XXXXXXXX XXXXXXXX	CITY STANDARD 04.06.01
FILE NAME FADWG\COMMON\STD\SCITY\2009\04_SS\04.06\04.06.01		DATE APPROVED 07/01/2009	SCALE 1:4		